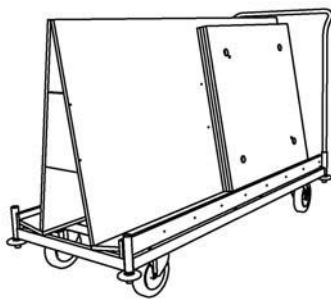


## Technical Specification - BuffetCube Table Trucks

Designed specifically for our BuffetCube Tables, there are three trucks available. The range of trucks provides a simple, efficient means of storage and transportation for the underframes and high pressure laminate or glass tops.

Features include:

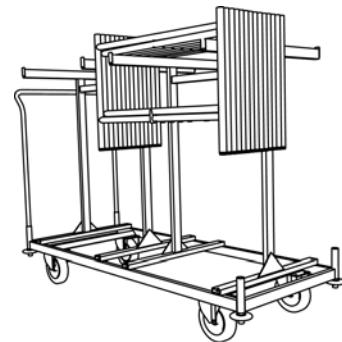
- Tubular mild steel construction throughout, with ply boarding where required
- Pewter hammer finish powder coated frame
- Grey non-marking corner buffers (excluding glass top truck)
- Fixed castors at the front and swivel braked castors at the rear



HPL Truck  
TTBL2000



Glass Top Truck  
TTBG7575/TTBG9090



Under frame Truck  
TTBU6001

<u>Specifications (cm)</u>				
Model	TTBL2000	TTBG7575	TTBG9090	TTBU6001
Supported Product	HPL Tops	75x75 Glass Tops	90x90 Glass Tops	Under frames
Length	198.7	105.5	105.5	198.7
Width	81.9	65.4	65.4	81.9
Height	126.8	106.5	121.5	137.4
Loaded Height	126.8 (Loaded)	106.5 (Loaded)	121.5 (Loaded)	148.5 (Loaded)
Weight	97kg	61kg ≈	61kg	78.1kg
Max. Number	24 x 90cm or 12 x 180cm	10	10	24

### Burgess Furniture Ltd

Hanworth Trading Estate, Feltham, Middlesex, TW13 6EH, UK  
 Telephone: +44 (020) 8894 9231 / Fax: +44 (020) 8894 2943  
 Email: sales@burgessfurniture.com / Web: www.burgessfurniture.com

