

# Flair

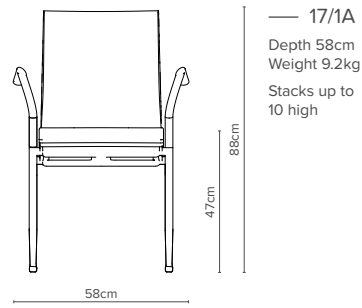
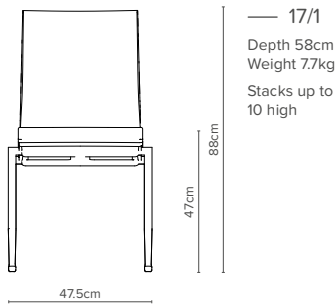


Image courtesy of Renaissance Barcelona Hotel

## Add some flair to the room

Designed by Peter Roth, the Flair is designed for use in all aspects of conferencing from the large congress hall facility to the compact and functional meeting room. The multi-contoured seat shell offers true comfort while maintaining minimum footprint for maximum numbers. The chrome plated frame features a unique flared leg detail, adding to the simple aesthetic and clean lines that give architects and designers flexibility to offer a contemporary solution for all environments.





Increased stacking stability



Optional recessed handle



Optional retractable linking with or without numbering



Optional detachable tablet

### — Key Features

- ✦ The contoured upholstered back offers lumbar support to create the most comfortable solution for conferences
- ✦ The chrome plated frame features a unique flared leg
- ✦ Foot incorporating a stack buffer to guide and retain the chairs' position for increased stacking stability
- ✦ Frame stacking

### — Options

- ✦ Recessed handle fits discretely in the back of the chair

### — Accessories

- ✦ Retractable linking with optional numbering
- ✦ Detachable tablet



Strength test to  
BS4875 (2001) Part 1  
Test Level 5  
Stability test to  
BS 7945 (1999)  
Report No: TSSEF07218

#### Burgess Furniture Ltd

Hanworth Trading Estate, Feltham, Middlesex TW13 6EH UK

Telephone +44 (0)20 8894 9231 | Fax +44 (0)20 8894 2943

Email sales@burgessfurniture.com | Web www.burgessfurniture.com

Please recycle.

Follow us on:



Issue date: 2023