

Evosa

 Radisson **BLU**
HOTEL, AMSTERDAM

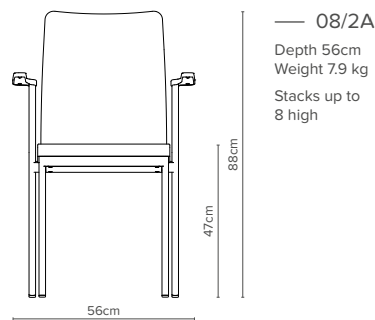
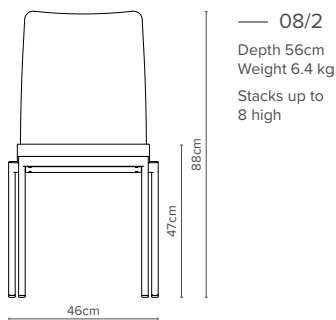
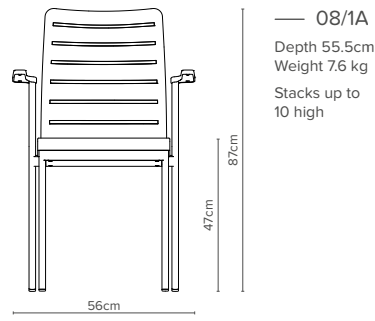
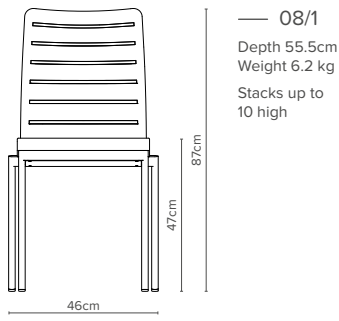


Image courtesy of Radisson Blu Amsterdam

Minimalist styling to complement any room

Designed by Peter Roth, the Evosa is the perfect chair for the most prestigious venues. The slender chrome plated steel frame and the option of a knitted mesh or upholstered back create a modern chair of outstanding design and quality. The slim, webbed seat and unique hidden back construction provides enduring comfort while maintaining a light weight chair that can be seat stacked for storage. Evosa is available with or without arms to suit your needs.





— Key Features

- 🔗 Elegant leg corner detail
- 🔗 Choice of upholstered back or innovative knitted mesh back fabric
- 🔗 Chrome plated mild steel frame (powder coat available on request)
- 🔗 Upholstered seat with built-in webbing for comfort
- 🔗 Seat stacker
- 🔗 Black plastic feet

— Options

- 🔗 Sleek black moulded arm pad (suffix A)
- 🔗 Knitted mesh back available in black as standard (other colours available on request)
- 🔗 Burgess industrial frame finish available
- 🔗 Ribbed seat

— Accessories

- 🔗 Linking clip



Strength test to
BS EN 16139:2013 level 2
Stability test to
BS EN 1022:2005
Report No: TSSEF48288/A

Burgess Furniture Ltd

Hanworth Trading Estate, Feltham, Middlesex TW13 6EH UK

Telephone +44 (0)20 8894 9231 | Fax +44 (0)20 8894 2943

Email sales@burgessfurniture.com | Web www.burgessfurniture.com

Please recycle.

Follow us on:



Issue date: 2023