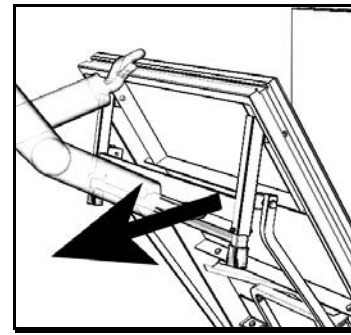


## STANDARD HEIGHT SET-UP:

1) Wheel into position & lock castors. Push only from the steering end.

2) Hold first half as shown.

3) **PULL ON LEG TO UNLOCK** & lower...

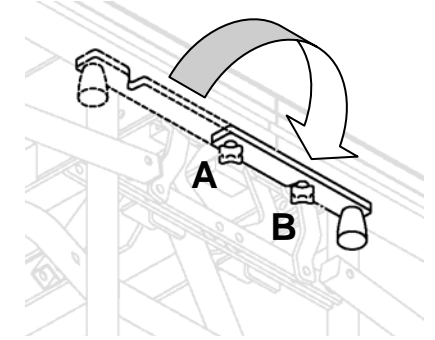


4) ...smoothly to the ground. Repeat 2-4 for other side.

## LEVELLING:

Uneven or carpeted floors may prevent the platform sitting flat and level. If this is the case, release handwheels 'A' & 'B', swivel the clamp to engage handwheel 'B', then tighten both handwheels. Repeat on the other side.

**! Ensure the clamps are released & returned to their stored position before attempting to fold the platform away.**



## STANDARD HEIGHT FOLD AWAY:

6) Hold first half as shown.

7) Lift the platform half smoothly...

8) ...and push on the leg to lock.

9) Repeat 6-8 for other side.

## MAINTENANCE:

### General

- i) The platform should be inspected every 6 months, ensuring all parts are secure and functioning correctly.
- ii) All nuts and bolts should be checked every 6 months.
- iii) All nuts and bolts at pivot points should only be tightened sufficiently to give a smooth pivoting action. **They must not be fully tightened as this will prevent pivots from operating and cause serious damage to the platform.**
- iv) No lubrication is necessary.

### Cleaning

- i) Tops should be cleaned using a damp sponge with a mild detergent.
- ii) Ensure tops are completely dry before using platform.
- iii) Painted & plated parts should also be cleaned using a damp sponge with a mild detergent.
- iv) The aluminium rim should be cleaned using a soft cloth and a proprietary furniture polish

## SECOND HEIGHT SET-UP (Dual height models only):

10) Release the Velcro straps and fold out the second-height legs on both sides of the platform.

11) Hold first half as shown & pull on leg to unlock.

12) Lower until the second-height legs touch the ground. The platform is safe in this position.

13) Repeat 11-12 for the other side.

14) Remove the two pins from the telescopic leg, extend the leg until the next set of holes align, then replace the two pins. Repeat on other side.

15) Push down on one end to set the platform on the ground. Ensure the second-height legs are fully open.

## SECOND HEIGHT FOLD AWAY (Dual height models only):

16) Grip the end of the platform as shown.

17) Lift the platform half and pull backwards to rock the base frame to the ground. **Ensure the base frame and all four fold out legs are in contact with the ground.**

18) Remove the two pins from the telescopic leg, push the leg up until the holes align, then replace the two pins. Repeat on the other side.

19) Lift the platform half smoothly to the upright position...

20) ...and push on the leg to lock. Repeat on the other side.

21) Fold away the second height legs and secure the Velcro straps.