

 **burgess**
furniture

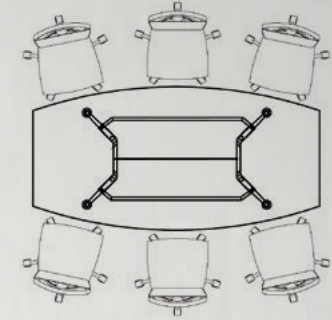
MEETING SOLUTIONS





SOLO CREDENZA SIZES

- 1200w x 670h x 500d (mm) - 2 Door
- 1800w x 670h x 500d (mm) - 3 Door
- 2400w x 670h x 500d (mm) - 4 Door



ENSA TABLE SIZES

- 2000 x 1000mm
- 2400 x 1200mm
- 2800 x 1200mm
- 3600 x 1200mm
- 4500 x 1400mm
- 5400 x 1400mm

The triangulated legs are beautifully detailed, and the steel cables achieve a solid stability that defies its minimal looks. The Ensa toughened glass collection features UV bonded tops in clear, etched and back painted finishes.



The Ensa aluminium leg frame is designed to work with a wide range of tops.



↳ solo

A versatile classic credenza that can be manufactured in an extensive range of finishes including veneers, laminates, coloured lacquers and our rustic textured melamines, Solo makes an eye-catching statement in meeting rooms, reception areas and social spaces, and can be specified to compliment all styles of decor.



↳ ensa

Ensa tables create a stunning centerpiece in any environment. The polished aluminium leg frame adapts to support virtually any size and shape of top in toughened glass, laminate and veneers.

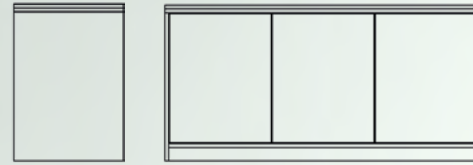


echo

With its textured melamine top, and clean contemporary lines, the Echo table blends style with functionality.

The undertop, cableway and base panels are available in charcoal or white. Tops can be rectangle, boat, oval or racetrack shape and manufactured in a choice of four textured woodgrains.

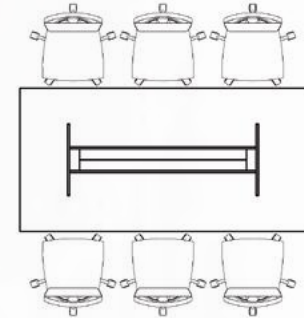
Special finishes available.



ECHO CREDENZA SIZES

1000w x 731h x 600d (mm) - 2 Door
 1500w x 731h x 600d (mm) - 3 Door
 2000w x 731h x 600d (mm) - 4 Door

Optional 40ltr fridge
 (Not integrated)



ECHO TABLE SIZES

2000 x 1000mm
 2400 x 1200mm
 2800 x 1350mm
 3600 x 1350mm
 4500 x 1500mm
 5400 x 1500mm



Cable riser



Touch release doors.



echo

The central softclose cableway can be opened from either side to reveal power, USB charging and data connections.



Echo edge detail 36mm thick with contrasting undertop.





glide

Modern minimal lines and a range of contemporary materials makes Glide a popular choice. With a unique polished chrome base, exclusive to the glide, this table is undeniably fitting for any space.

The Glide 10mm steel curved foot and 80mm diameter upright provide outstanding strength and long time durability.



Shown above is a classic Glide table with a 30mm undercut edge detail finished in a graphite oak stain.

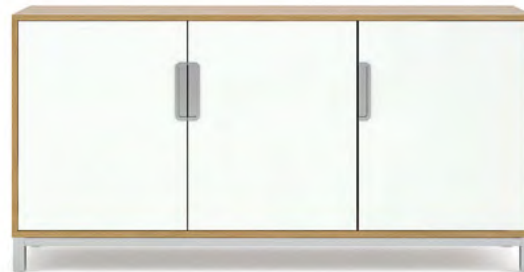
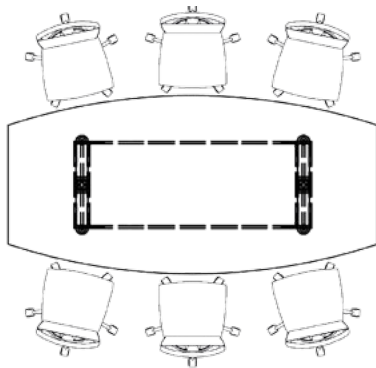


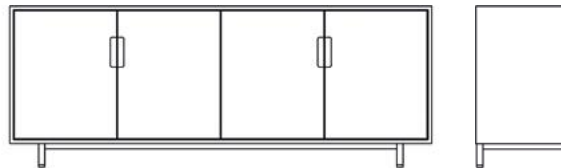
TABLE SIZES

- 2000 x 1000mm
- 2400 x 1200mm
- 2800 x 1200mm
- 3600 x 1200mm
- 4500 x 1400mm
- 5400 x 1500mm

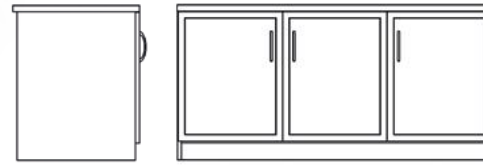


FLITE CREDENZA SIZES

- 800w x 762h x 450d (mm) - 2 Door
- 1200w x 762h x 450d (mm) - 3 Door
- 1600w x 762h x 450d (mm) - 4 Door



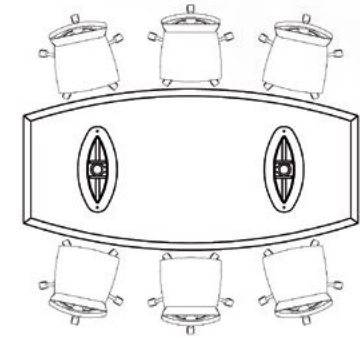
The Flite credenza is a clean and crisp piece of design and is a very practical storage unit because of its depth and height. Flite is often used as the perfect companion to our Glide tables with its polished chrome frame to match the Glide leg.



HYFORM CREDENZA SIZES

- 800w x 731h x 600d (mm) - 2 Door
- 1000w x 731h x 600d (mm) - 2 Door
- 1500w x 731h x 600d (mm) - 3 Door
- 2000w x 731h x 600d (mm) - 4 Door

Optional integrated 40ltr fridge
(Not available in 800w (mm) credenza)



HYFORM TABLE SIZES

RECTANGLE | OVAL | BOAT | RACE TRACK

- 2000 x 1000mm
- 2400 x 1200mm
- 2800 x 1350mm
- 3600 x 1350mm
- 4500 x 1500mm
- 5400 x 1500mm

CIRCULAR

- 1000mm Dia
- 1200mm Dia
- 1500mm Dia
- 1800mm Dia
- 2400mm Dia





Hyform tables showcase our exceptional veneering and manufacturing skills. Each piece is hand finished and our process driven production means we can easily tailor your table. This gives you the freedom to select shape, size, veneers, inlays and edge profiles to create something unique that's perfect for your requirement.

Optional inlays and power modules available for this table.



Optional connections
UK Power x 2, USB Smart Charge x 2, HDMI, Audio 3.5, VGA



The Hyform credenza provides practical storage and is often specified as a catering unit with cutlery drawers and integrated refrigerator with concealed vents and cable routes.



AEROFOIL



BOX



PILLAR



ARROW HEAD



PANEL AND BEAM



DRUM



Hyform tables have six base options allowing you a unique and stunning piece of furniture tailored to meet your needs.

Working with you

At Burgess Furniture we define spaces. It's a matter of pride that we can carry out and complete all of our projects in-house from our London headquarters.

As a manufacturer, we regularly work with our clients to customise or develop products. Once we have the design you like we can then prepare a room layout, helping you visualize exactly how it will look.

Quality and craftsmanship go hand in hand and every design that we make is independently tested to contract standards by FIRA (Furniture Industry Research Association) to ensure it meets industry standards.

Our quality control department ensures that every product reaches the highest standard before receiving the GB hallmark stamp – the guarantee that it is a genuine, high quality Burgess product. Once they have passed the test they then can be shipped direct to you, wherever you are in the world!

Get in touch

Start defining your space today.

If you would like to discuss our products or request a brochure please contact us – we're always happy to help.

Telephone: +44 (0)20 8894 9231

Email: sales@burgessfurniture.com

www.burgessfurniture.com



Visit our new showroom.

Burgess Furniture Ltd
Hanworth Trading Estate, Feltham, TW13 6EH



Burgess Furniture Ltd

Hanworth Trading Estate, Feltham, Middlesex TW13 6EH UK

Telephone +44 (0)20 8894 9231

Fax +44 (0)20 8894 2943

Email sales@burgessfurniture.com

Web www.burgessfurniture.com



Follow us on:

