

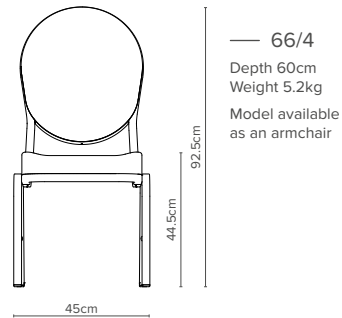
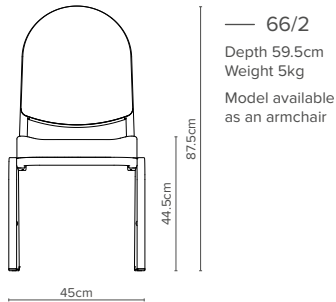
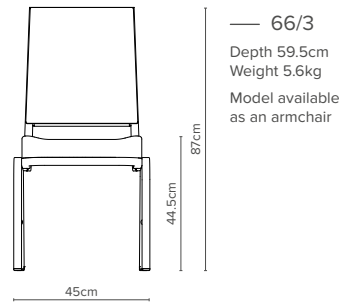
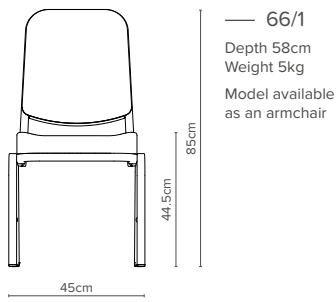
# Adamas



## A timeless classic with a twist

Introducing: Adamas. To celebrate this 60th anniversary year, Burgess have re-visited the original classic, Turini, bringing it up to date for the modern customer. Featuring a sleek sandwiched back in 4 design shapes, the brand new Adamas chair can be adapted to suit any venue with a wide range of fabrics and finishes.

This contemporary range of operational conference and event chairs, designed by Peter Roth, feature the unique and FIRA approved AirComfort seat cushion for maximum support and ultimate luxury.



### — Key Features

- ↳ Generous AirComfort seat cushion
- ↳ Independently assessed by FIRA Ergonomics Unit (Annex C of BS EN 16139)
- ↳ Sandwich construction back upholstery minimizes visual effect of tubular frame
- ↳ 45cm width
- ↳ Discreet clear stacking buttons
- ↳ Lightweight aluminium extrusion
- ↳ Frames stack up to 10 high, with or without arms
- ↳ Black plastic feet

### — Options

- ↳ Classic arms available on all models
- ↳ For armchairs add 15cm to width and 0.7kg to weight
- ↳ Upholstery can be chosen from a wide range of Burgess fabrics

### — Accessories

- ↳ Standard linking available in black, silver and gold
- ↳ Retractable linking with optional numbering
- ↳ Detachable tablet



#### Burgess Furniture Ltd

Hanworth Trading Estate, Feltham, Middlesex TW13 6EH UK

Telephone +44 (0)20 8894 9231 | Fax +44 (0)20 8894 2943

Email sales@burgessfurniture.com | Web www.burgessfurniture.com

Please recycle.

Follow us on:



Issue date: 2023