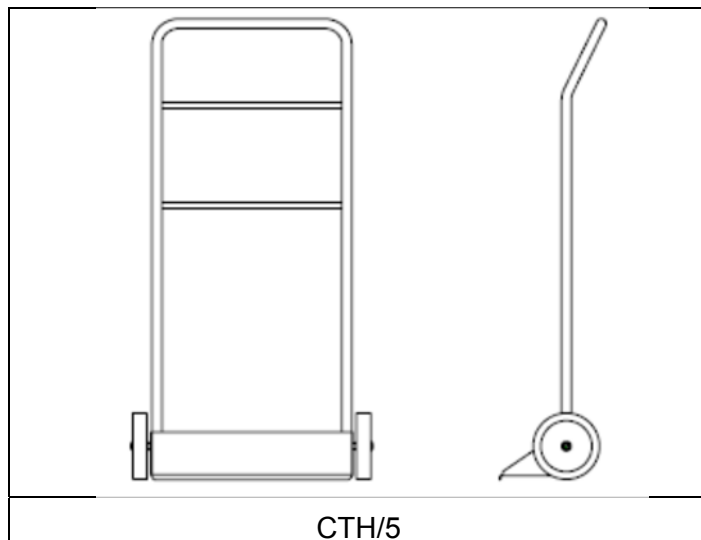


Technical Specification - CTH/5 Chair Trolley

The CTH/5 is a 2-wheeled chair trolley for transporting stacks of chairs under the rear legs. It has an extra rail incorporated lower down to accommodate chair models with lower backs. This enables the chairs to be moved with maximum ease and minimum effort.

Features include:

- Tubular mild steel construction throughout
- Pewter hammer finish powder coated frame
- Rubber wheels



Specifications (cm)

Description	Width	Length	Height	Weight
CTH/5	66	26	125	8.5 kg

Burgess Furniture Ltd

Hanworth Trading Estate, Feltham, Middlesex, TW13 6EH, UK
 Telephone: +44 (020) 8894 9231 / Fax: +44 (020) 8894 2943
 Email: sales@burgessfurniture.com / Web: www.burgessfurniture.com

